

# Moon-Beam

Garden And Accent Lighting

AY650



AY650

## Specifications

### Rating:

Ingress Protection-IP54

### Materials:

Solid brass body with heat resistant flat tempered 3mm glass. Stainless steel fixings.

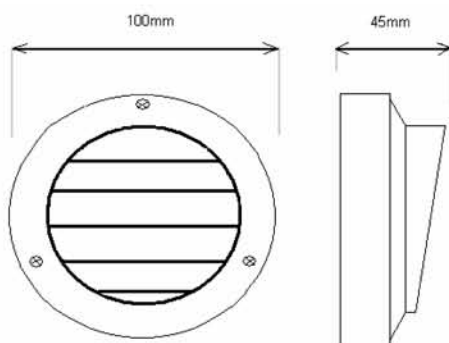
### Lamp:

1 x 20 Watt Burner recommended.  
(Lamp included)

### Finishes:

- Standard brass
- Brushed chrome over brass
- Powdercoat colours over brass

## Dimensions



Halogen  
Burner

### Notes:

Surface mounted spotlight in 12v. Ideal for use around pathways, steps and retaining walls.

### Installation:

Make all electrical connections. Remove front plate from fitting and screw the base of the fitting to desired position using stainless steel screws. Install lamp into fitting ensure that the halogen capsule is not touched with bare hands. If accidentally touched with bare hands the lamp should be wiped clean with a cloth and alcohol. Screw face plate to fitting making sure

that the silicone seal is not twisted and is located in the appropriate channel around the inside of the fitting. Xenon halogen capsules are recommended when long life lamps are required.

### Maintenance:

To maintain the appearance and performance of your stainless steel fitting it should, as required be cleaned with a non-corrosive cleaning product such as "Steel Kleen Ezwiwipes" or "3M Stainless Steel Cleaner". While cleaning always follow the polish or brushing lines.

Copper is a natural high quality product, durable and attractive. It offers good resistance to harsh marine atmosphere, saltwater, alkalis and solvents. Copper darkens to the preferred patina effect with time and in itself needs no maintenance. The lens should be cleaned as required. Powdercoated copper provides a long and durable finish which should be cleaned as required with a non-corrosive cleaning product such as diluted household dishwashing liquid.

# Moon-Beam

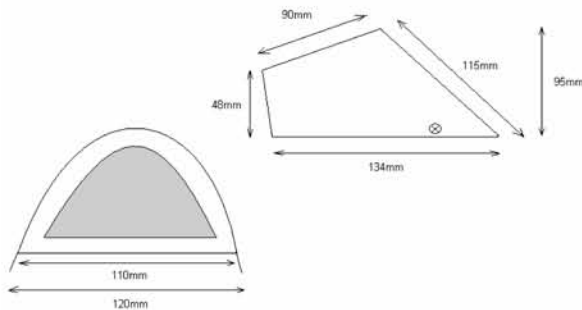
Garden And Accent Lighting

## VARDA



VARDA

## Dimensions



## Specifications

### Rating:

Ingress Protection-IP44

### Materials:

Stainless Steel body with heat resistant flat tempered frosted glass. Copper hood with brass screws

### Lamp:

MR16.or GU10 Maximum 50 Watt recommended.  
(Lamp not included)

### Finishes:

- Natural copper
- Stainless Steel

### Accessories:

- Coloured dichroic lamp
- Coloured dichroic filters



MR16



GU10

### Notes:

Wall light in 12v or 240v versions.

### Installation:

Remove hood by unscrewing two side screws and carefully remove glass. Make all electrical connections. Screw the base of the fitting to wall, install lamp and replace glass and hood. Glass is loose in fitting to allow for expansion. When re lamping we recommend that a 5000 hour 12v MR16 or 3000 hour GU10 lamp is used

for long life and less maintenance of the product.

### Maintenance:

To maintain the appearance and performance of your stainless steel fitting it should, as required be cleaned with a non-corrosive cleaning product such as "Steel Kleen Eziwipes" or "3M Stainless Steel Cleaner". While cleaning always follow the polish or brushing lines.

Copper is a natural high quality product, durable and attractive. It offers good resistance to harsh marine atmosphere, saltwater, alkalis and

solvents. Copper darkens to the preferred patina effect with time and in itself needs no maintenance. The lens should be cleaned as required. Powdercoated copper provides a long and durable finish which should be cleaned as required with a non-corrosive cleaning product such as diluted household dishwashing liquid.

# Moon-Beam

Garden And Accent Lighting

L6136

## Specifications



L6136

### Rating:

Ingress Protection-IP54

### Materials:

Solid copper or stainless steel body with heat resistant flat tempered 3mm glass.

Stainless steel fixings.

### Lamp:

MR16 or GU10. Maximum 50 Watt copper or 35 Watt stainless steel recommended

(Lamp not included)

### Finishes:

- Standard brushed stainless steel or natural copper
- Brushed chrome over copper
- Powdercoat colours over copper

### Accessories:

- Honeycomb filter
- 150mm hat
- Coloured dichroic lamp
- Coloured dichroic filters
- Polyethylene seal (supplied)

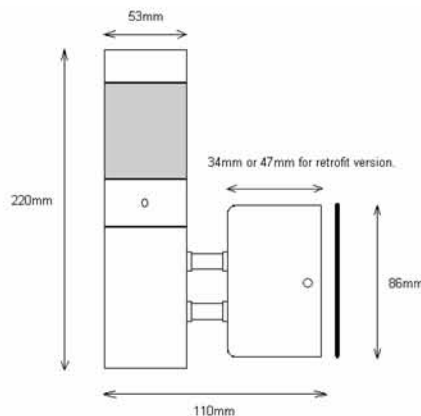


GU10



MR16

## Dimensions



### Notes:

Wall down light spot in 12v MR16, 240v retrofit version or 240v GU10.

### Installation:

Screw base plate to wall ensuring an even pressure is applied on the polyethylene seal. Make all electrical connections. Screw the base of the fitting to the base plate making sure that the silicone 'O' rings are in place underneath the head of each base screw. Ensure fitting is facing in a downward position. When relamping we recommend that a 5000 hour 12v MR16 is

used for long life and less maintenance of the product.

### Maintenance:

All grades of stainless steel can discolour or become greasy. To maintain the appearance and performance of your fitting it should, as required be cleaned with a non-corrosive cleaning product such as "Steel Kleen Eziwipes" or "3M Stainless Steel Cleaner". While cleaning always follow the polish or brushing lines.

Brass is a natural high quality product, durable and attractive. It offers good resistance to harsh marine atmosphere, saltwater, alkalis and

solvents. Brass darkens with time and in itself needs no maintenance. The lens should be cleaned as required.

Powdercoated brass ensures a long and durable finish which should be cleaned as required with a non-corrosive cleaning product such as diluted household dishwashing liquid.

# Moon-Beam

Garden And Accent Lighting

L6137



L6137

## Specifications

### Rating:

Ingress Protection-IP54

### Materials:

Solid copper or stainless steel body with heat resistant flat tempered 3mm glass.

Stainless steel fixings.

### Lamp:

MR16 or GU10. Maximum 2 x 35 Watt copper or 2 x 20 Watt stainless steel recommended.

(Lamp not included)

### Finishes:

- Standard brushed stainless steel or natural copper
- Brushed chrome over copper
- Powdercoat colours over copper

### Accessories:

- Honeycomb filter
- 150mm hat
- Coloured dichroic lamp
- Coloured dichroic filters
- Polyethylene seal (supplied)

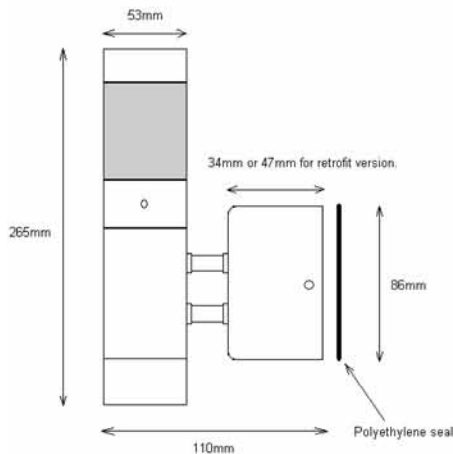


MR16



GU10

## Dimensions



### Notes:

Wall down light spot in 12v MR16, 240v retrofit version or 240v GU10.

### Installation:

Screw base plate to wall ensuring an even pressure is applied on the polyethylene seal. Make all electrical connections. Screw the base of the fitting to the base plate making sure that the silicone 'O' rings are in place underneath the head of each base screw. Ensure fitting is facing in a downward position. When relamping we recommend that a 5000 hour 12v MR16 is

used for long life and less maintenance of the product.

### Maintenance:

To maintain the appearance and performance of your stainless steel fitting it should, as required be cleaned with a non-corrosive cleaning product such as "Steel Kleen Eziwipes" or "3M Stainless Steel Cleaner". While cleaning always follow the polish or brushing lines.

Copper is a natural high quality product, durable and attractive. It offers good resistance to harsh marine atmosphere, saltwater, alkalis and solvents. Copper darkens to the preferred pat-

ina effect with time and in itself needs no maintenance. The lens should be cleaned as required. Powdercoated copper provides a long and durable finish which should be cleaned as required with a non-corrosive cleaning product such as diluted household dishwashing liquid.

# Moon-Beam

Garden And Accent Lighting

M6131



M6131

## Specifications

### Rating:

Ingress Protection-IP54

### Materials:

Solid copper or stainless steel body with heat resistant flat tempered 3mm glass.

Stainless steel fixings.

### Lamp:

MR16 or GU10. Maximum 50 Watt copper or 35 Watt stainless steel.

recommended

(Lamp not included)

### Finishes:

- Standard brushed stainless steel or natural copper
- Brushed chrome over copper
- Powdercoat colours over copper

### Accessories:

- Coloured dichroic lamp
- Coloured dichroic filters
- Honeycomb filter
- LED MR16 lamps

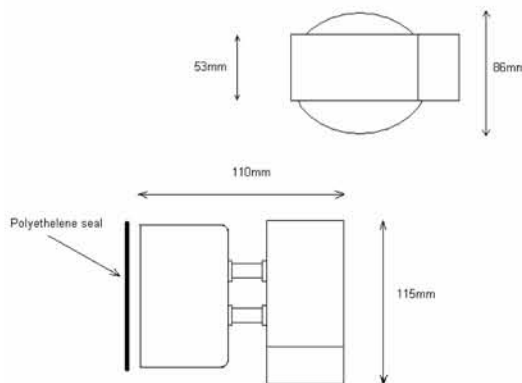


GU10



MR16

## Dimensions



### Notes:

Wall down light spot in 12v MR16, 240v retrofit version or 240v GU10.

### Installation:

Screw base plate to wall ensuring an even pressure is applied on the polyethylene seal. Make all electrical connections. Screw the base of the fitting to the base plate making sure that the silicone 'O' rings are in place underneath the head of each base screw. Ensure fitting is facing in a downward position. When relamping we recommend that a 5000 hour 12v

MR16 is used for long life and less maintenance of the product.

### Maintenance:

All grades of stainless steel can discolour or become greasy. To maintain the appearance and performance of your fitting it should, as required be cleaned with a non-corrosive cleaning product such as "Steel Kleen Eziwipes" or "3M Stainless Steel Cleaner". While cleaning always follow the polish or brushing lines.

Brass is a natural high quality product, durable and attractive. It offers good resistance to harsh marine atmosphere, saltwater, alkalis and

solvents. Brass darkens with time and in itself needs no maintenance. The lens should be cleaned as required.

Powdercoated brass ensures a long and durable finish which should be cleaned as required with a non-corrosive cleaning product such as diluted household dishwashing liquid.

# Moon-Beam

Garden And Accent Lighting

L6139



L6139

## Specifications

### Rating:

Ingress Protection-IP54

### Materials:

Solid copper or stainless steel body with heat resistant flat tempered 3mm glass.

Stainless steel fixings.

### Lamp:

MR16 or GU10. Maximum 2 x 50 Watt copper or 2 x 35 Watt stainless steel.

recommended

(Lamp not included)

### Finishes:

- Standard brushed stainless steel or natural copper
- Brushed chrome over copper
- Powdercoat colours over copper

### Accessories:

- Coloured dichroic lamp
- Coloured dichroic filters
- Honeycomb filter
- LED MR16 lamps

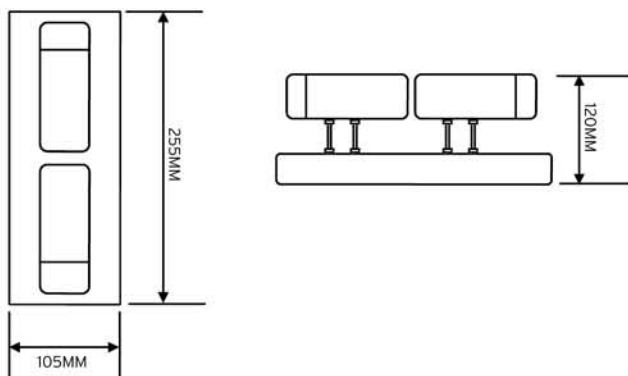


GU10



MR16

## Dimensions



### Notes:

Wall down light spot in 12v MR16, 240v retrofit version or 240v GU10.

### Installation:

Screw base plate to wall ensuring an even pressure is applied on the polyethylene seal. Make all electrical connections. Screw the base of the fitting to the base plate making sure that the silicone 'O' rings are in place underneath the head of each base screw. Ensure fitting is facing in a downward position. When relamping we recommend that a 5000 hour 12v MR16

is used for long life and less maintenance of the product.

### Maintenance:

To maintain the appearance and performance of your stainless steel fitting it should, as required be cleaned with a non-corrosive cleaning product such as "Steel Kleen Eziwipes" or "3M Stainless Steel Cleaner". While cleaning always follow the polish or brushing lines.

Copper is a natural high quality product, durable and attractive. It offers good resistance to harsh marine atmosphere, saltwater, alkalis and solvents. Copper darkens to the preferred pat-

ina effect with time and in itself needs no maintenance. The lens should be cleaned as required. Powdercoated copper provides a long and durable finish which should be cleaned as required with a non-corrosive cleaning product such as diluted household dishwashing liquid.

# Moon-Beam

Garden And Accent Lighting

M6135



M6135

## Specifications

### Rating:

Ingress Protection-IP54

### Materials:

Solid copper or stainless steel body with heat resistant flat tempered 3mm glass.

Stainless steel fixings.

### Lamp:

MR16 or GU10. Maximum 2 x 20 Watt copper or 2 x 20 Watt stainless steel.

recommended

(Lamp not included)

### Finishes:

- Standard brushed stainless steel or natural copper
- Brushed chrome over copper
- Powdercoat colours over copper

### Accessories:

- Coloured dichroic lamp
- Coloured dichroic filters
- Honeycomb filter
- LED MR16 lamps

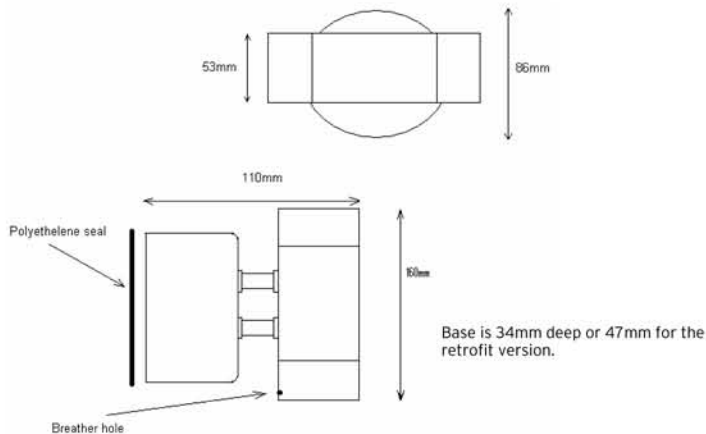


MR16



GU10

## Dimensions



### Notes:

Wall down light spot in 12v MR16, 240v retrofit version or 240v GU10.

### Installation:

Screw base plate to wall ensuring an even pressure is applied on the polyethylene seal. Make all electrical connections. Screw the base of the fitting to the base plate making sure that the silicone 'O' rings are in place underneath the head of each base screw. Ensure fitting is facing in a downward position. When relamping we recommend that a 5000 hour 12v

MR16 is used for long life and less maintenance of the product.

### Maintenance:

All grades of stainless steel can discolour or become greasy. To maintain the appearance and performance of your fitting it should, as required be cleaned with a non-corrosive cleaning product such as "Steel Kleen Eziwipes" or "3M Stainless Steel Cleaner". While cleaning always follow the polish or brushing lines.

Brass is a natural high quality product, durable and attractive. It offers good resistance to harsh marine atmosphere, saltwater, alkalis and

solvents. Brass darkens with time and in itself needs no maintenance. The lens should be cleaned as required.

Powdercoated brass ensures a long and durable finish which should be cleaned as required with a non-corrosive cleaning product such as diluted household dishwashing liquid.