

# Moon-Beam

Garden And Accent Lighting

AY200

## Specifications



AY200



Optional niche 1 and form tube 3 for use inground.

### Rating:

Ingress Protection-IP54

### Materials:

Solid brass body with stainless steel fixings or solid stainless steel body.

Heat resistant, clear high temperature glass.

### Lamp:

Standard lamp is a 12v AR111 maximum 50 Watt.

With a gimble unit accessory an MR16 50 Watt may be used. (Lamp not included)

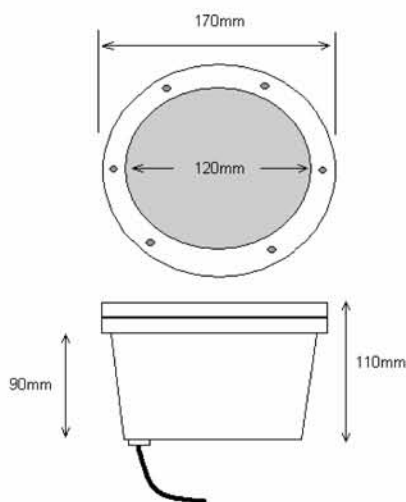
### Finishes:

- Standard brass or stainless steel
- Brushed chrome over brass
- Powdercoat colours over brass

### Accessories:

- Gimble unit
- Coloured dichroic lamp
- Coloured dichroic filters
- Stainless form tube
- Brass niche

## Dimensions



MR16

### Notes:

Inground fitting in 12v or 24v, for uplighting larger objects such as trees or in applications where a wider spread of light is required.

### Installation:

Best installation of this product is by burying directly into soil or using niche and form tube when installing into earth or concrete. This product may be installed into a wooden deck either directly (140mm cut out) or using the niche (170mm cut out) for a flush mounting. Electrical connections can then be made

ensuring a waterproof join to the main feed cable.

### Maintenance:

To maintain the appearance and performance of your stainless steel fitting it should, as required be cleaned with a non-corrosive cleaning product such as "Steel Kleen Eziwipes" or "3M Stainless Steel Cleaner". While cleaning always follow the polish or brushing lines.

Copper is a natural high quality product, durable and attractive. It offers good resistance to harsh marine atmosphere,

saltwater, alkalis and solvents. Copper darkens to the preferred patina effect with time and in itself needs no maintenance. The lens should be cleaned as required. Powdercoated copper provides a long and durable finish which should be cleaned as required with a non-corrosive cleaning product such as diluted household dishwashing liquid.

# Moon-Beam

Garden And Accent Lighting

M6140



M6140

## Specifications

### Rating:

Ingress Protection-IP44

### Materials:

Solid copper with stainless steel fixings.

### Lamp:

MR16. Maximum 50 Watt .  
(Lamp not included)

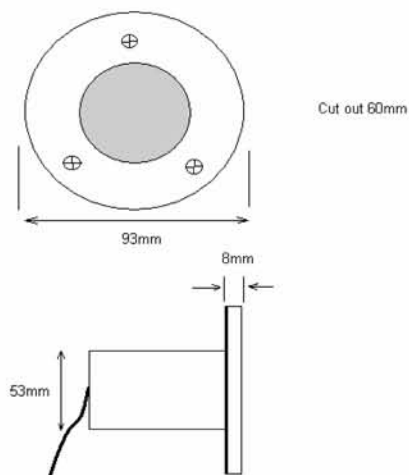
### Finishes:

- Standard natural copper
- Brushed chrome over copper
- Powdercoat colours over copper

### Accessories:

- Coloured dichroic lamp
- Coloured dichroic filters
- Honeycomb filter
- LED MR16 lamps

## Dimensions



MR16

### Notes:

Recessed downlight 12v or 24v, suited to soffits and porches where the vented back is enclosed once installed.

### Installation:

Make cut out of 53mm. Make electrical connections. Secure vented body using stainless steel screws through the flange. Install lamp and screw face plate to body of fitting. When re lamping we recommend 5000 hour MR16 for long life and less

maintenance of this product.

### Maintenance:

To maintain the appearance and performance of your stainless steel fitting it should, as required be cleaned with a non-corrosive cleaning product such as "Steel Kleen Eziwipes" or "3M Stainless Steel Cleaner". While cleaning always follow the polish or brushing lines.

Copper is a natural high quality product, durable and attractive. It offers good resistance to harsh marine atmosphere, saltwater, alkalis and solvents. Copper darkens to the preferred patina effect with time and in itself needs no maintenance. The lens should

be cleaned as required. Powdercoated copper provides a long and durable finish which should be cleaned as required with a non-corrosive cleaning product such as diluted household dishwashing liquid.